

Wafer Check Valves

Wafer Check Valves Carbon Steel

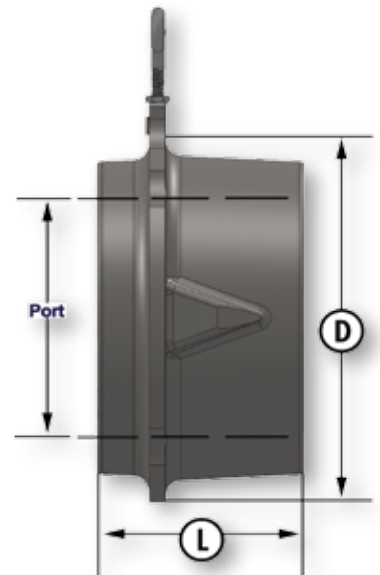
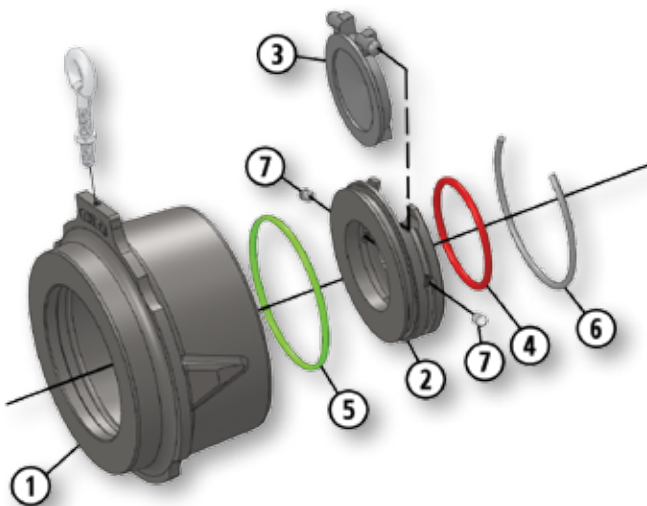
- Long Pattern Swing Check Valve
- ANSI 600 (1480 PSI WP)
- 2" Through 6"
- Forged Steel Body Construction

- Replaceable Seat Disc Cartridge
- Seal Located in Seat, Thus Protected From Flow
- NACE Standard
- 316 Stainless Steel Disc Standard
- Generally Larger Port Sizes Than Other Brands



Material Description

| ITEM | PART NAME | CARBON STEEL SEAT | STAINLESS STEEL SEAT |
|------|-----------|---------------------------------|---|
| 1 | Body | ASTM A105 | ASTM A105 |
| 2 | Seat | Replaceable Carbon Steel | Replaceable 316 Or 17-4PH Stainless Steel |
| 3 | Disc | Replaceable 316 Stainless Steel | Replaceable 316 Stainless Steel |
| 4 | O-Ring | Seat Seal: Fluorocarbon | Seat Seal: Fluorocarbon |
| 5 | O-Ring | Assembly Seal: Buna-N | Assembly Seal: Fluorocarbon |
| 6 | Retainer | Stainless Steel | Stainless Steel |
| 7 | Set Screw | Stainless Steel | Stainless Steel |



Dimensional Data

| SIZE | CATALOG NUMBER | | PORT | D | L | STUD LENGTH | LBS. |
|------|-------------------|----------------------|------|-------|------|-------------|------|
| | CARBON STEEL SEAT | STAINLESS STEEL SEAT | | | | | |
| 2 | 2L-600 | 2L-600S | 1.5 | 4.37 | 2.37 | 6.75 | 4.9 |
| 3 | 3L-600 | 3L-600S | 2 | 5.87 | 2.87 | 8 | 11.8 |
| 4 | 4L-600 | 4L-600S | 3 | 7.87 | 3.12 | 9.25 | 16 |
| 6 | 6L-600 | 6L-600S | 4.75 | 10.50 | 5.37 | 12.50 | 48 |